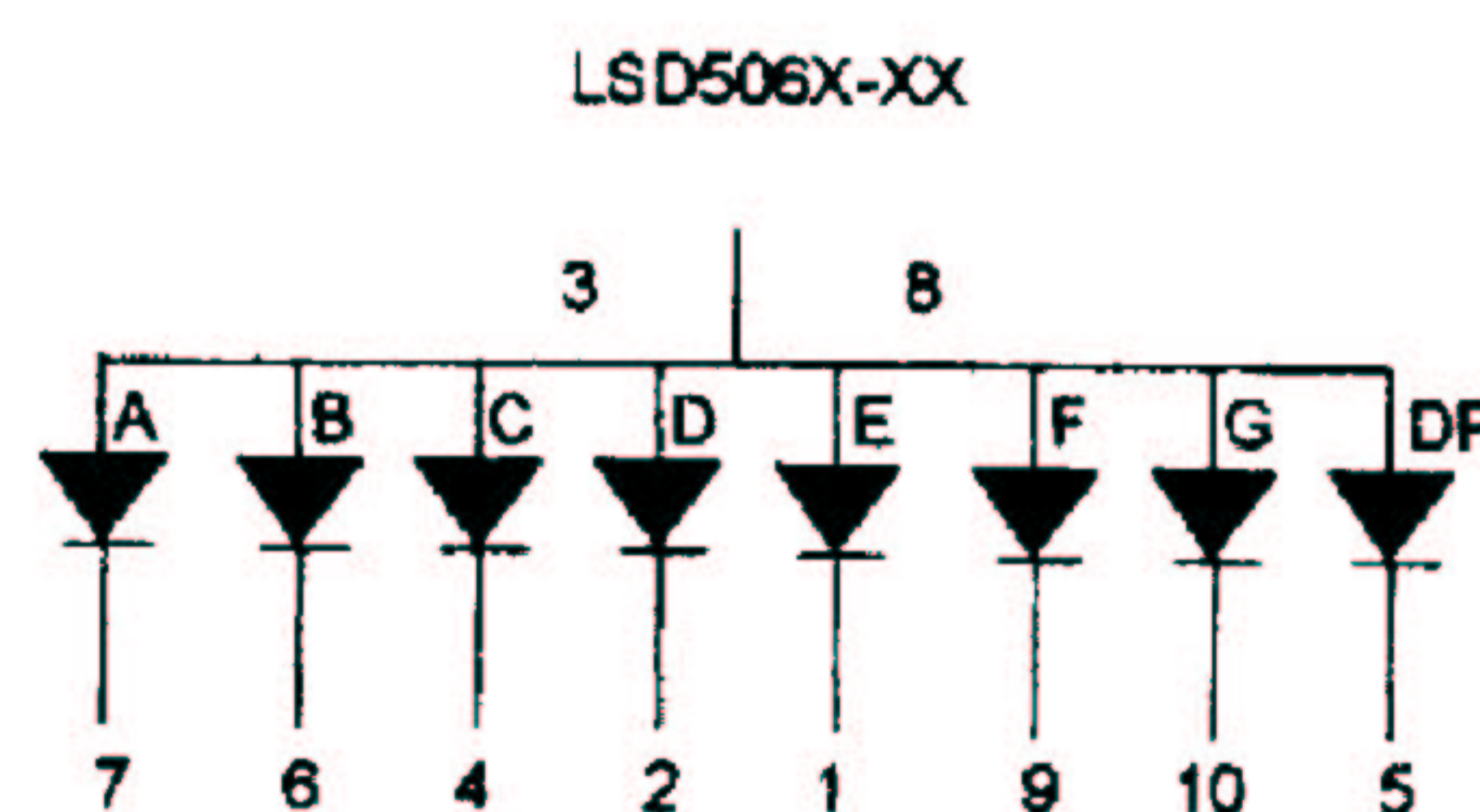
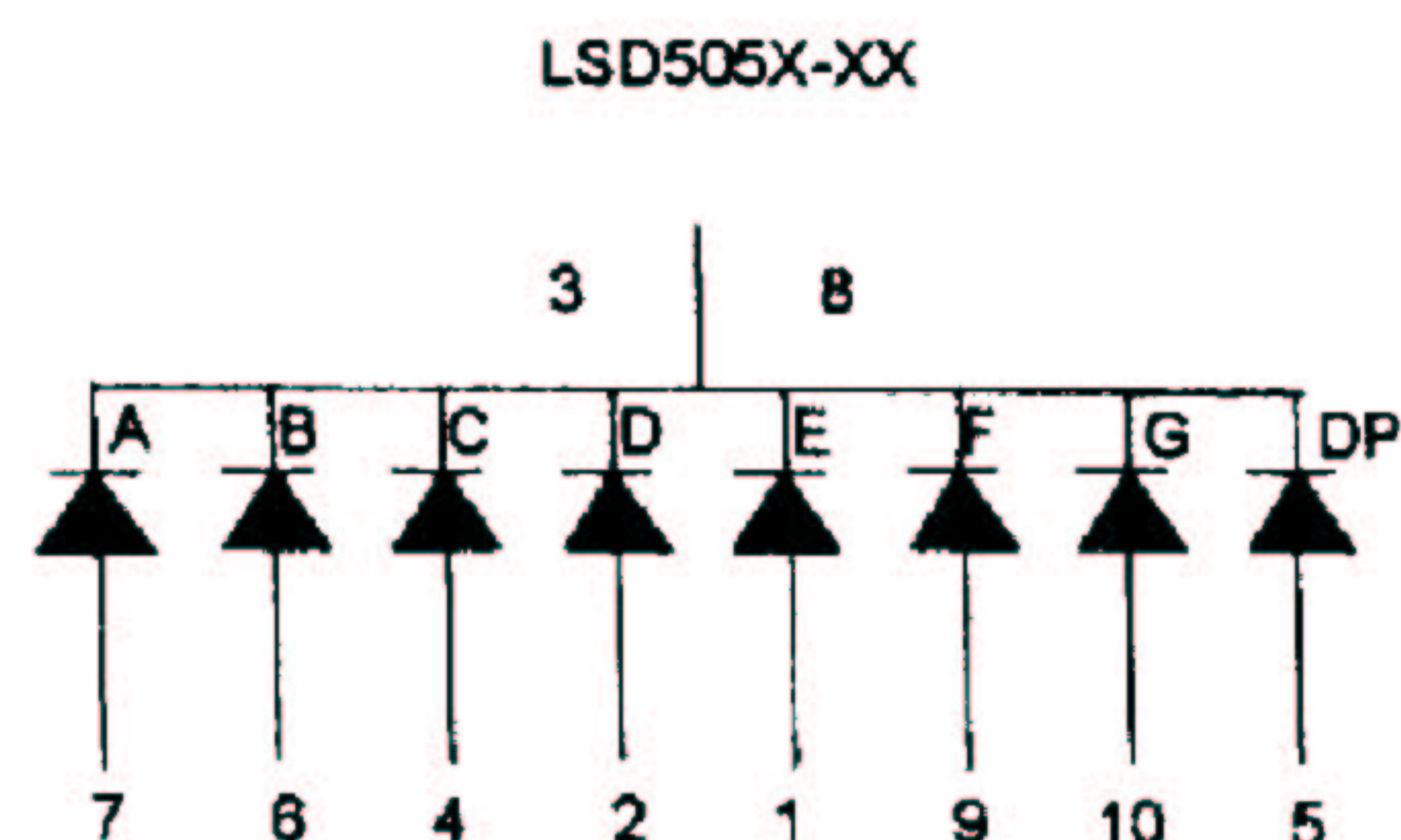
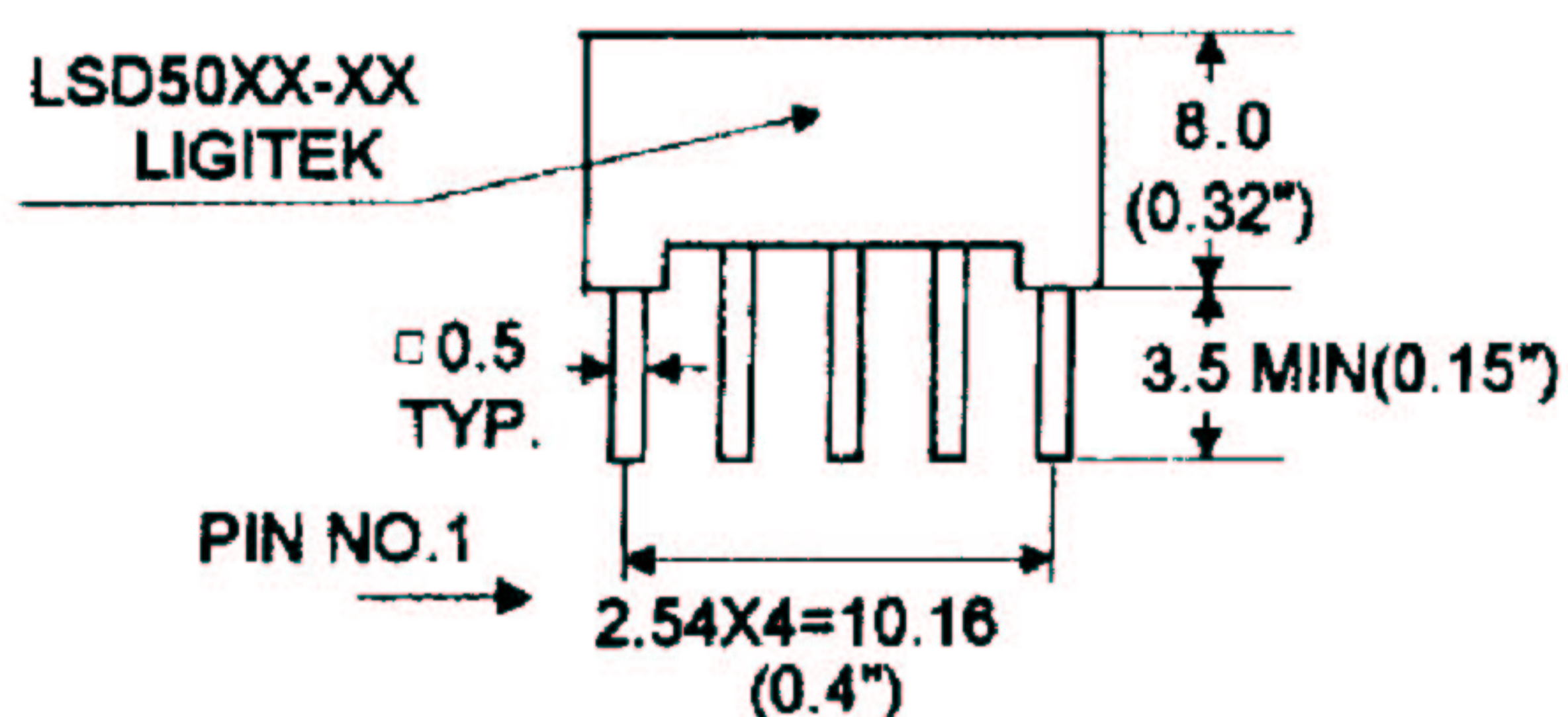
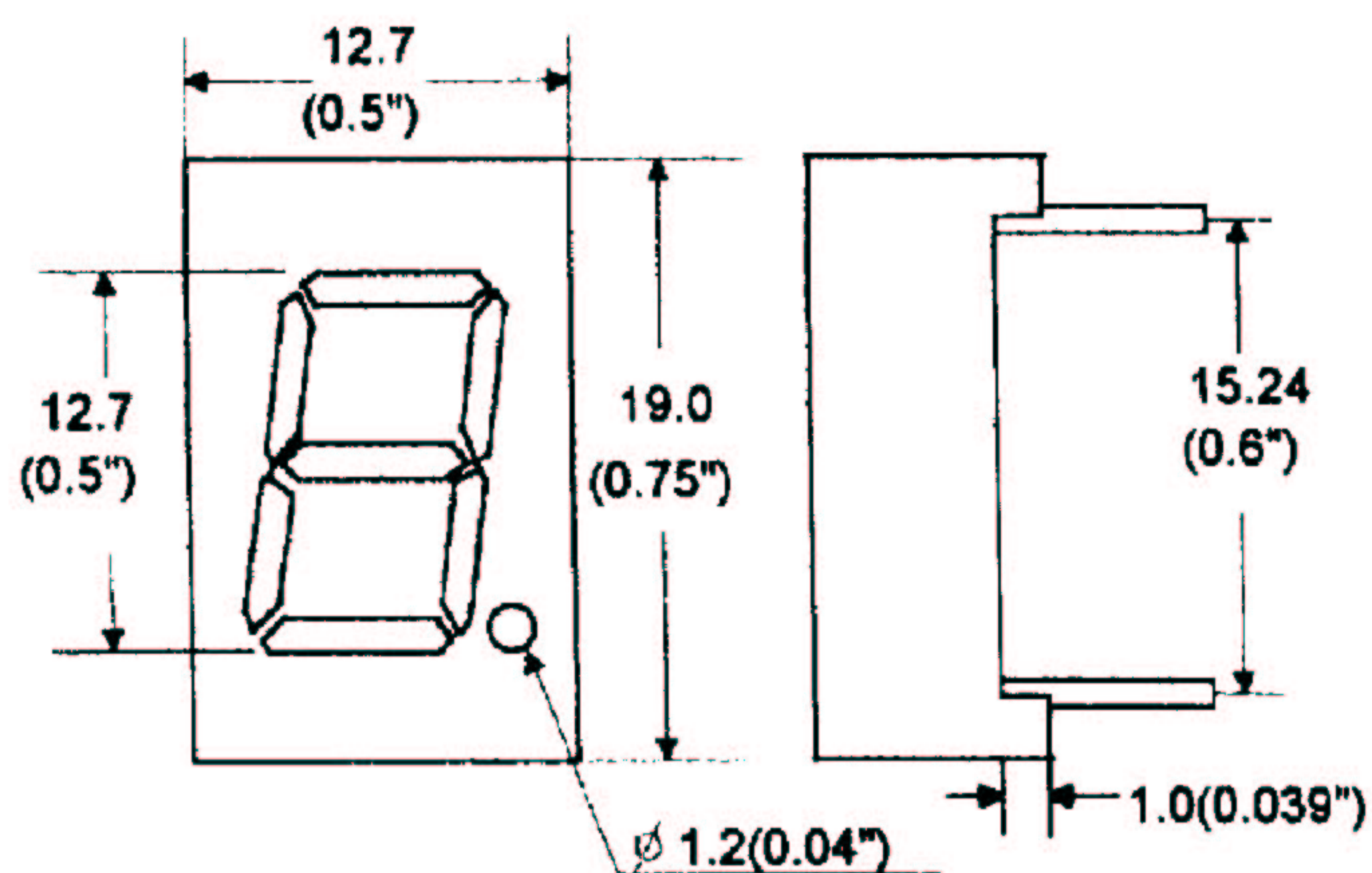


PACKAGE DIMENSION

INTERNAL CIRCUIT DIAGRAM



NOTE: All Dimension Are In Millimeters And (Inch)
Tolerance Is $\pm 0.25(0.01)$ Unless Otherwise Noted

• Connection To Electrical Schematic

Electrical Connection

PIN NO.	LSD505X-XX	PIN NO.	LSD506X-XX
1	Anode E	1	Cathode E
2	Anode D	2	Cathode D
3	Common Cathode	3	Common Andoe
4	Anode C	4	Cathode C
5	Andoe DP	5	Cathode DP
6	Andoe B	6	Cathode B
7	Andoe A	7	Cathode A
8	Common Cathode	8	Common Andoe
9	Andoe F	9	Cathode F
10	Andoe G	10	Cathode G